

CHROMATHERAPY/WHITE LED LIGHT KIT FOR USE WITH AX UNIT WITH ELITE CLOUD CONTROL

SPECIFICATION SHEET

MODEL: LED LIGHT KIT
FOR AX UNIT WITH ELITE CLOUD CONTROL

Features

- The LED Light Kit is designed to be used in any steam bath or shower enclosure.
- The LED Light Kit includes two LEDs, housings, LED wires, connection wires and transformer.
- The Elite Cloud control is used to change the LED light colors and patterns and to turn the LED on or off.
- The Light Kit is not for use as a primary light source.

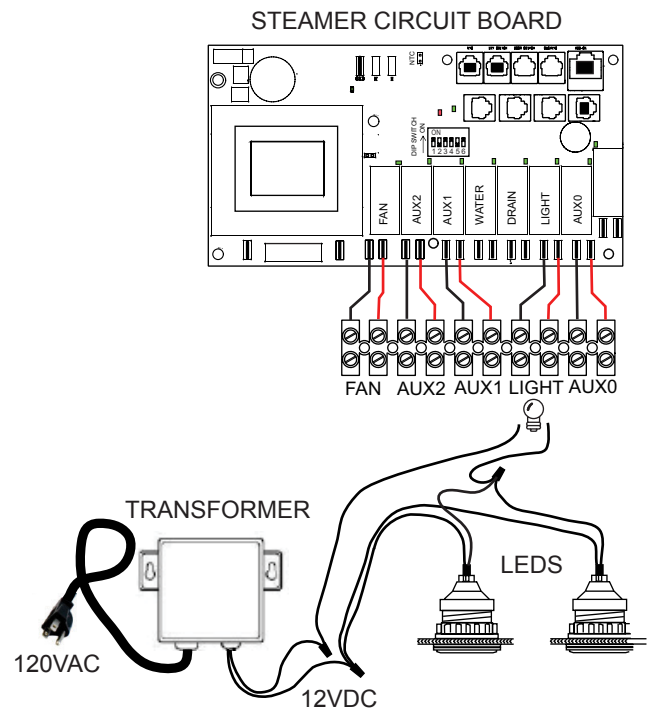


Chromatherapy/White LED Light Kit

Installation

- LED light assemblies are to be mounted in the ceiling of the steam room.
- Additional LEDs ordered separately. Maximum of seven (7) LEDs per installation.
- The transformer must be located in a convenient, dry, location.

	Item Number
LED Light Kit - AX Model	9223-216
Additional LED - AX Models	9223-112



Not intended for use as installation instructions.
Refer to specific installation instructions for further detail.

AMEREC
525 E Cokato Street | Cokato, MN 55321
Toll-Free 1-800-331-0349
amerec@amerec.com | www.amerec.com

Amerec reserves the right to change specifications and design without notice.
© 2021 Amerec Steam

amerec[®]
STEAM. SAUNA. SOLUTIONS.